

EQUINOX

MaxiPar UV

User Manual



Order code: EQLED116

WARNING

FOR YOUR OWN SAFETY, PLEASE READ THIS USER MANUAL CAREFULLY BEFORE YOUR INITIAL START-UP!

- Before your initial start-up, please make sure that there is no damage caused during transportation.
- Should there be any damage, consult your dealer and do not use the equipment.
- To maintain the equipment in good working condition and to ensure safe operation, it is necessary for the user to follow the safety instructions and warning notes written in this manual.
- Please note that damages caused by user modifications to this equipment are not subject to warranty.



IMPORTANT:

The manufacturer will not accept liability for any resulting damages caused by the non-observance of this manual or any unauthorised modification to the equipment.

- Never let the power cable come into contact with other cables. Handle the power cable and all mains voltage connections with particular caution!
- Never remove warning or informative labels from the unit.
- Do not open the equipment and do not modify the unit.
- Do not connect this equipment to a dimmer pack.
- Do not switch the equipment on and off in short intervals, as this will reduce the system's life.
- Only use the equipment indoors.
- Do not expose to flammable sources, liquids or gases.
- Always disconnect the power from the mains when equipment is not in use or before cleaning! Only handle the power-cable by the plug. Never pull out the plug by pulling the power-cable.
- Make sure that the available voltage is between 100~240V, 50/60Hz.
- Make sure that the power cable is never crimped or damaged. Check the equipment and the power cable periodically.
- If the equipment is dropped or damaged, disconnect the mains power supply immediately and have a qualified engineer inspect the equipment before operating again.
- If the equipment has been exposed to drastic temperature fluctuation (e.g. after transportation), do not connect power or switch it on immediately. The arising condensation might damage the equipment. Leave the equipment switched off until it has reached room temperature.
- If your product fails to function correctly, stop use immediately. Pack the unit securely (preferably in the original packing material), and return it to your Pro Light dealer for service.
- Only use fuses of same type and rating.
- Repairs, servicing and power connection must only be carried out by a qualified technician. THIS UNIT CONTAINS NO USER SERVICEABLE PARTS.
- WARRANTY: One year from date of purchase.

OPERATING DETERMINATIONS

If this equipment is operated in any other way, than those described in this manual, the product may suffer damage and the warranty becomes void. Incorrect operation may lead to danger e.g: short-circuit, burns and electric shocks etc.

Do not endanger your own safety and the safety of others!

Incorrect installation or use can cause serious damage to people and/or property.

Please note: These fixtures are intended for stage lighting and entertainment applications only, and are not intended for extended periods of use, including but not limited to house-light, industrial or architectural applications and should only be operated with short duty cycles.

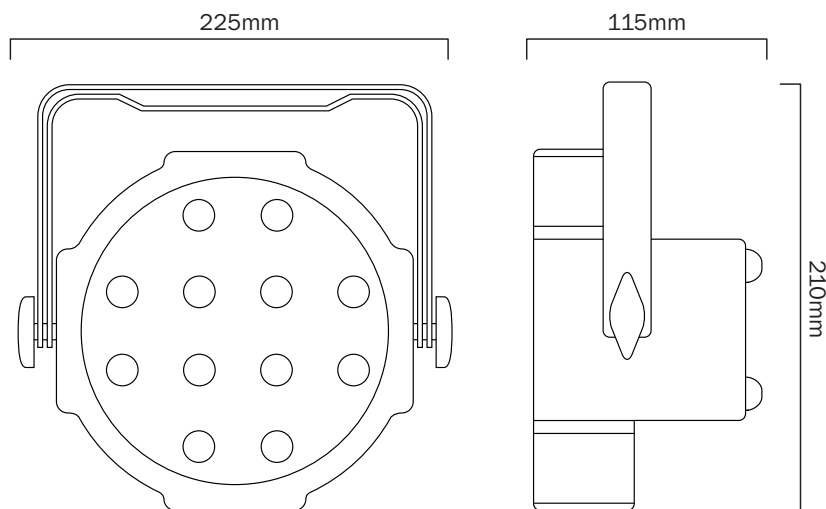
MaxiPar UV

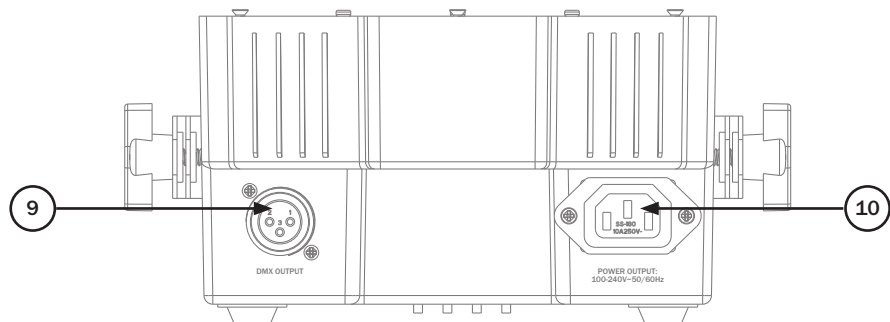
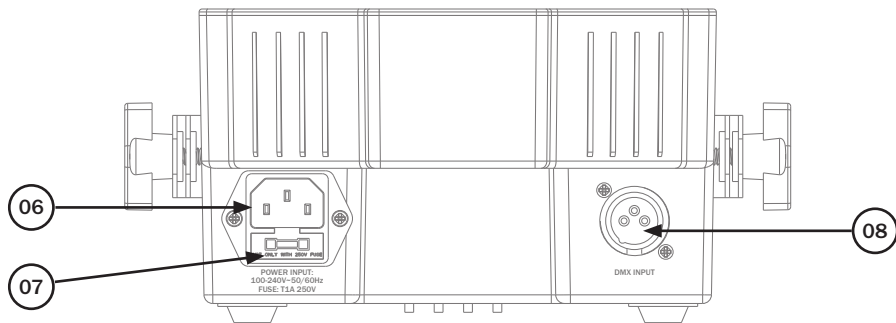
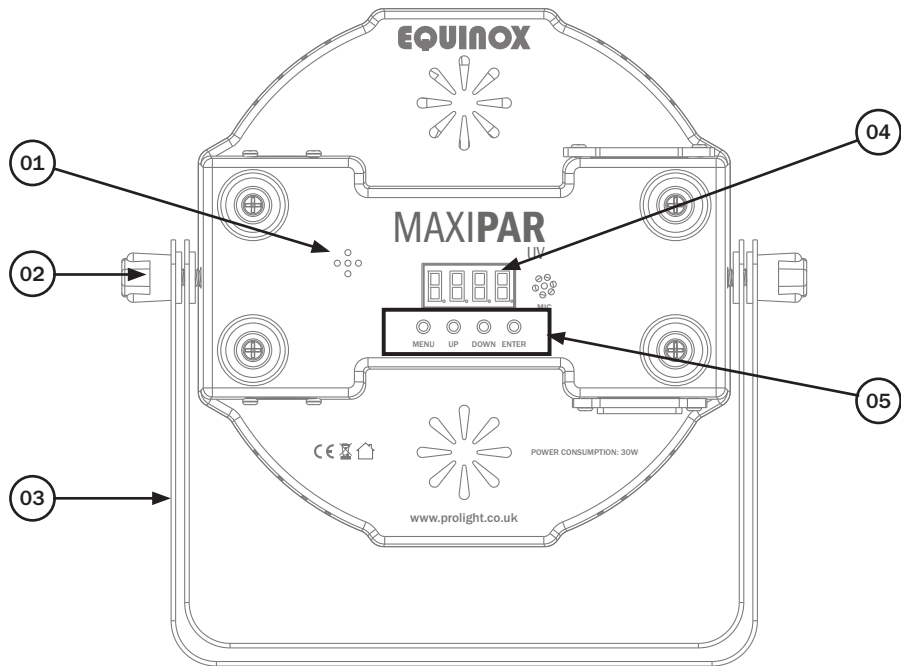
This compact, slim profile par is designed for uplighting as well producing blacklight effects. It features 12 x 3W UV LEDs. Operational modes including DMX, auto, sound active and master/slave modes.

- 12 x 3W UV LEDs
- Beam angle: 25°
- DMX channels: 1/2 or 3 selectable
- Auto, sound active and master/slave modes
- 0-100% dimming
- Variable strobe
- 4 push button menu with LED display
- Bracket allows for multiple rigging or floor standing applications
- Rubber feet allow the panel to sit flat on the floor for uplighting
- Side entry XLR and power connections
- IEC power input/output
- 3-Pin XLR input/output
- Fan cooled



Specifications	MaxiPar UV
Power consumption	30W
Power supply	100~240V, 50/60Hz
Fuse	T1A 250V
Dimensions	210 x 225 x 115mm
Weight	0.9kg
Order code	EQLED111A



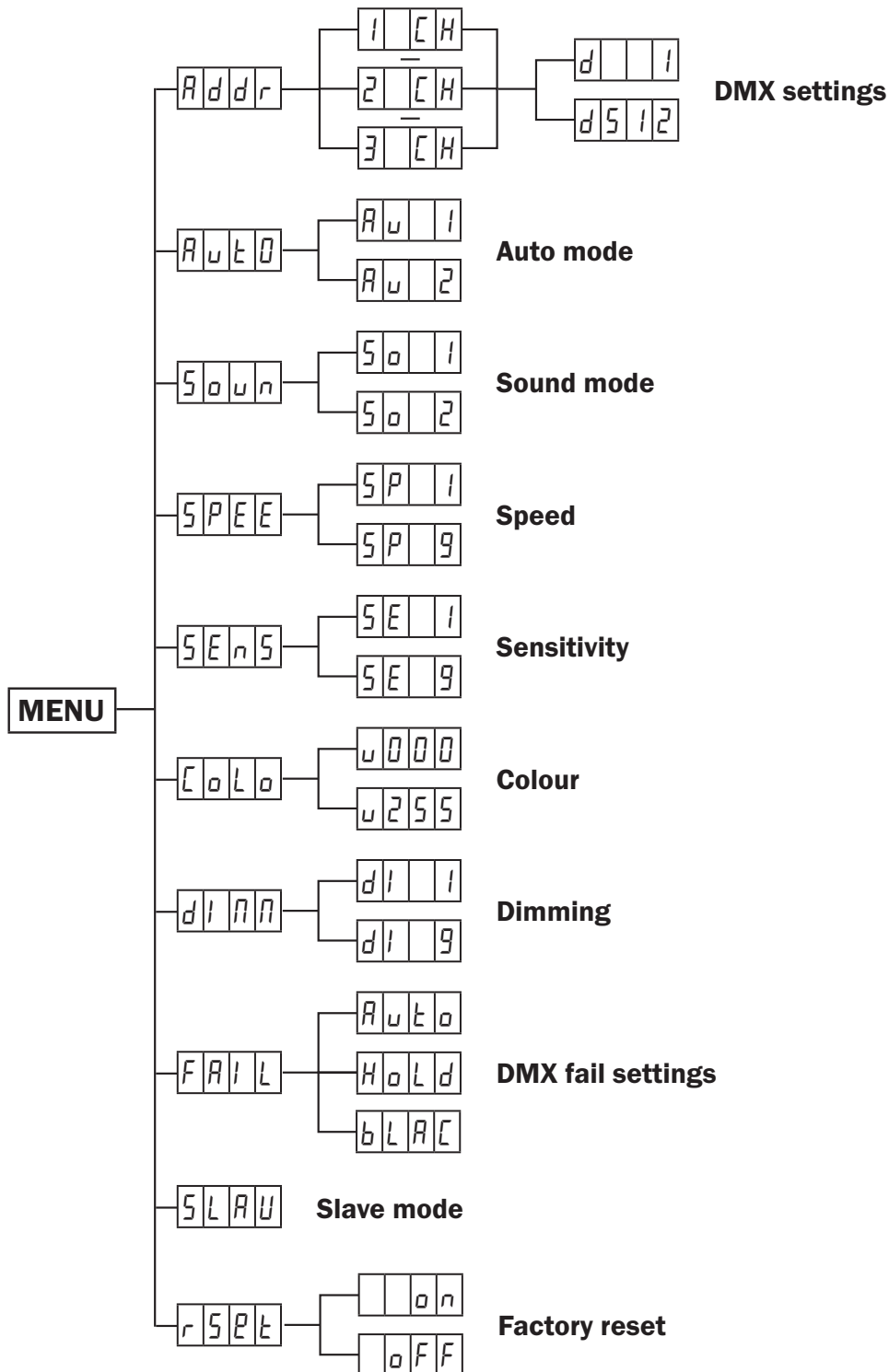


01 - Microphone
02 - Bracket knobs
03 - Bracket
04 - LED display

05 - Function buttons
06 - Fuse T1A 250V
07 - IEC power input
08 - DMX input

09 - DMX output
10 - IEC power output

In the box:
1 x fixture &
1 x power cable



DMX mode:

Operating in a DMX control mode environment gives the user the greatest flexibility when it comes to customising or creating a show. In this mode you will be able to control each individual trait of the fixture and each fixture independently.

To access the DMX mode, press the “**MENU**” button and use the “**UP**” and “**DOWN**” buttons to show *Addr* on the LED display. Now press the “**ENTER**” button and use the “**UP**” and “**DOWN**” buttons to choose one of the 1/2 or 3 DMX channel modes.

Press the “**ENTER**” button and use the “**UP**” and “**DOWN**” buttons to set the required DMX address. Press the “**ENTER**” button to confirm the setting.

To exit out of any of the above options, press the “**MENU**” button.

1 channel mode:

Channel	Value	Function
CH1	000-255	UV dimmer (0-100%)

2 channel mode:

Channel	Value	Function
CH1	000-255	Master dimmer (0-100%)
CH2	000-014	No function
	015-255	Strobe (slow-fast)

3 channel mode:

Channel	Value	Function
CH1	000-255	Master dimmer (0-100%)
CH2	000-014	No function
	015-255	Strobe (slow-fast)
CH3	000-009	No function
	010-069	Auto program1
	070-129	Auto program2
	130-189	Sound program1
	190-255	Sound program2

Auto mode:

To access dimming press “**MENU**” until the display shows *Auto* on the LED display.

Press the “**ENTER**” button and use the “**UP**” and “**DOWN**” buttons to select between *Auto 1 ~ Auto 2*.

Press the “**ENTER**” button to confirm.

To exit out of any of the above options, press the “**MENU**” button.

Sound mode:

To access dimming press “**MENU**” until the display shows *Sound* on the LED display.

Press the “**ENTER**” button and use the “**UP**” and “**DOWN**” buttons to select between *Sound 1 ~ Sound 2*.

Press the “**ENTER**” button to confirm.

To exit out of any of the above options, press the “**MENU**” button.

Speed:

To access dimming press “**MENU**” until the display shows *SPEED* on the LED display.

Press the “**ENTER**” button and use the “**UP**” and “**DOWN**” buttons to select between *SP 1 ~ SP 9*.

Press the “**ENTER**” button to confirm.

To exit out of any of the above options, press the “**MENU**” button.

Sensitivity:

To access dimming press “MENU” until the display shows *SEnS* on the LED display.

Press the “ENTER” button and use the “UP” and “DOWN” buttons to select between *SE 1 ~ SE 9*.

Press the “ENTER” button to confirm.

To exit out of any of the above options, press the “MENU” button.

Colour:

To access dimming press “MENU” until the display shows *COLO* on the LED display.

Press the “ENTER” button and use the “UP” and “DOWN” buttons to select between *0000 ~ 0255*.

Press the “ENTER” button to confirm.

To exit out of any of the above options, press the “MENU” button.

Dimming:

To access dimming press “MENU” until the display shows *di nn* on the LED display.

Press the “ENTER” button and use the “UP” and “DOWN” buttons to select between *di 1 ~ di 9*.

Press the “ENTER” button to confirm.

To exit out of any of the above options, press the “MENU” button.

DMX fail settings:

To access the DMX fail settings, press the “MENU” button on the front of the unit to show *FAIL* on the LED display.

Press the “ENTER” button and use the “UP” and “DOWN” buttons to select on of the following:

Auto, *Hold* or *blAC*. Press the “ENTER” button to confirm.

To exit out of any of the above options, press the “MENU” button.

Master/slave mode:

To set the master unit, press the “MENU” button on the rear of the master unit to select your desired program. To set the other units in slave mode, press the “MENU” button on the rear of the unit to show *SLAV* on the LED display and press the “ENTER” button to confirm the setting. The units will now run in sequence with the master unit.

To exit out of any of the above options, press the “MENU” button.

Factory reset:

To access the factory reset, press the “MENU” button on the front of the unit to show *rSEt* on the LED display. Now press the “ENTER” button and the display will show *on*. Use the “UP” and “DOWN” buttons to select *on* or *oFF*. Press the “ENTER” button to confirm the setting.

To exit out of any of the above options, press the “MENU” button.

Setting the DMX address:

The DMX mode enables the use of a universal DMX controller. Each fixture requires a “start address” from 1- 512. A fixture requiring one or more channels for control begins to read the data on the channel indicated by the start address. For example, a fixture that occupies or uses 7 channels of DMX and was addressed to start on DMX channel 100, would read data from channels: 100, 101, 102, 103, 104, 105 and 106. Choose a start address so that the channels used do not overlap. E.g. the next unit in the chain starts at 107.

DMX 512:

DMX (Digital Multiplex) is a universal protocol used as a form of communication between intelligent fixtures and controllers. A DMX controller sends DMX data instructions from the controller to the fixture. DMX data is sent as serial data that travels from fixture to fixture via the DATA “IN” and DATA “OUT” XLR terminals located on all DMX fixtures (most controllers only have a data “out” terminal).

DMX linking:

DMX is a language allowing all makes and models of different manufactures to be linked together and operate from a single controller, as long as all fixtures and the controller are DMX compliant. To ensure proper DMX data transmission, when using several DMX fixtures try to use the shortest cable path possible. The order in which fixtures are connected in a DMX line does not influence the DMX addressing. For example; a fixture assigned to a DMX address of 1 may be placed anywhere in a DMX line, at the beginning, at the end, or anywhere in the middle. When a fixture is assigned a DMX address of 1, the DMX controller knows to send DATA assigned to address 1 to that unit, no matter where it is located in the DMX chain.

DATA cable (DMX cable) requirements (for DMX operation):

This fixture can be controlled via DMX-512 protocol. The DMX address is set on the back of the unit. Your unit requires either a standard 3-pin or 5-pin XLR connector for data input/output, see images below.



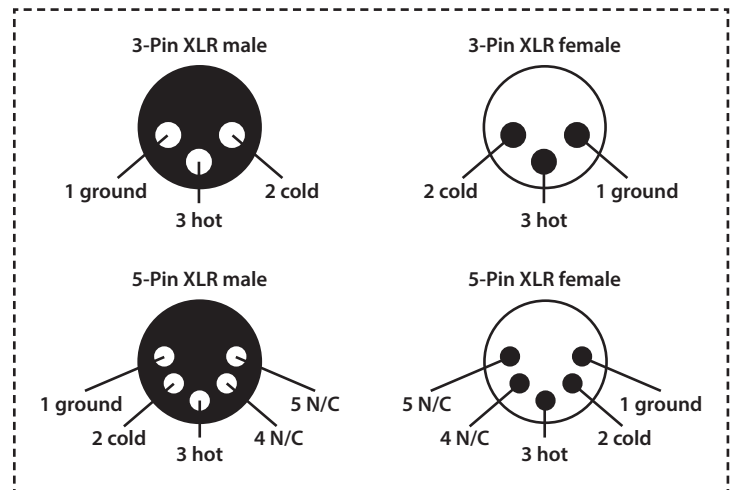
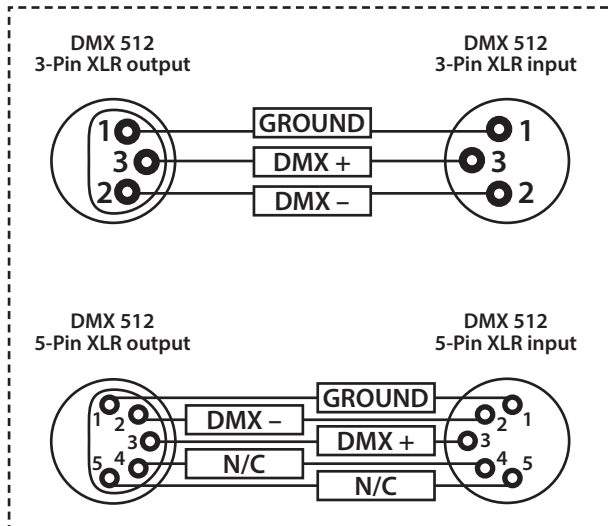
Further DMX cables can be purchased from all good sound and lighting suppliers or Prolight Concepts dealers.
Please quote: 3-Pin: CABL10 – 2m CABL11 – 5m CABL12 – 10m

Also remember that DMX cable must be daisy chained and cannot be split.

Notice:

Be sure to follow the diagrams below when making your own cables. Do not connect the cables shield conductor to the ground lug or allow the shield conductor to come in contact with the XLRs outer casing. Grounding the shield could cause a short circuit and erratic behaviour.

Pin Configuration	
3-Pin	5-Pin
	Pin 1 - Ground
	Pin 2 - Negative
	Pin 3 - Positive
-	Pin 4 - N/C
-	Pin 5 - N/C

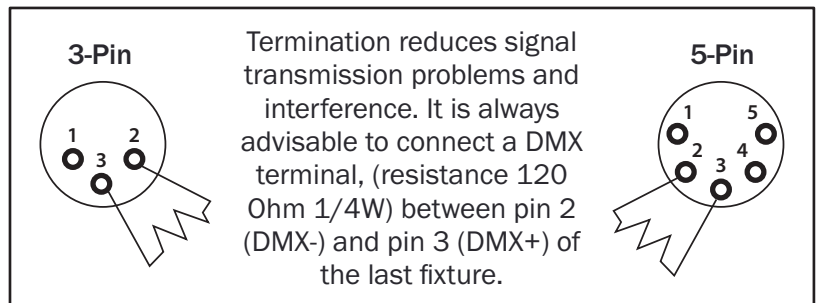


Line termination:

When longer runs of cable are used, you may need to use a terminator on the last unit to avoid erratic behaviour.

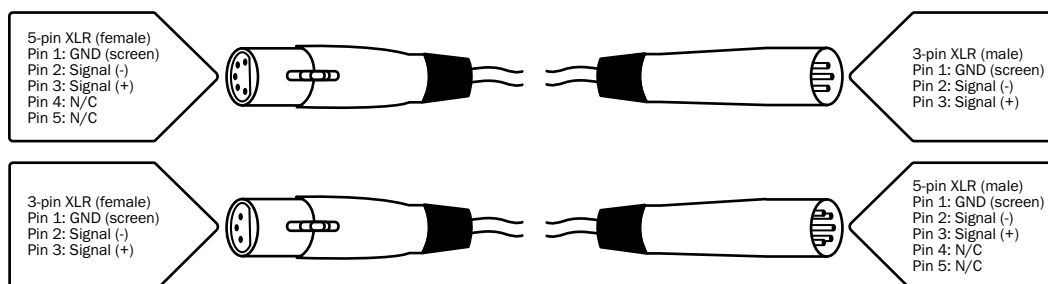
Using a cable terminator will decrease the possibilities of erratic behaviour.

(3-pin - Order ref: CABL90,
5-pin - Order ref: CABL89)



5-pin XLR DMX connectors:

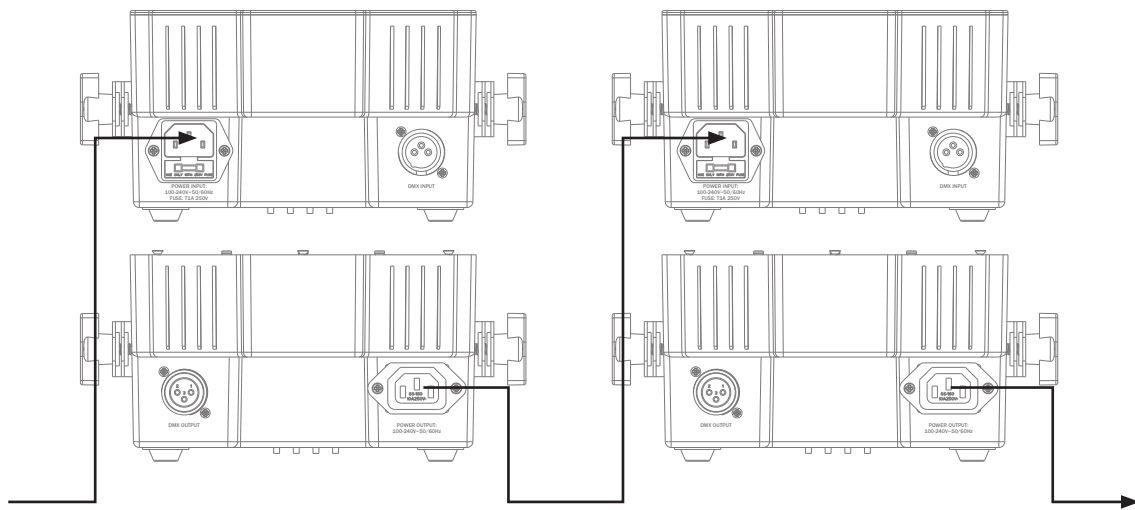
Some manufactures use 5-pin XLR connectors for data transmission in place of 3-pin. 5-pin XLR fixtures may be implemented in a 3-pin XLR DMX line. When inserting standard 5-pin XLR connectors in to a 3-pin line a cable adaptor must be used. The diagram below details the correct cable conversion.



Power linking:

This fixture provides power linking via the power output on the rear allowing multiple units to be connected together. The maximum number of fixtures that can be connected is 52 fixtures @ 240V or 26 fixtures @ 120V (including the first fixture). After the maximum number of fixtures are connected a new power run will need to be started.

Please note: Caution should be used when power linking other fixtures to the MaxiPar UV as the power consumption of other fixtures will vary. Fixtures fitted with lamps often require 2/3 times more current on startup, these may require their own power source.





Correct Disposal of this Product (Waste Electrical & Electronic Equipment)

**(Applicable in the European Union and other European countries
with separate collection systems)**

This marking shown on the product or its literature, indicates that it should not be disposed of with other household wastes at the end of its working life. To prevent possible harm to the environment or human health from uncontrolled waste disposal, please separate this from other types of wastes and recycle it responsibly to promote the sustainable reuse of material resources.

Household users should contact either the retailer where they purchased this product, or their local government office, for details of where and how they can take this item for environmentally safe recycling.

Business users should contact their supplier and check the terms and conditions of the purchase contract. This product should not be mixed with other commercial wastes for disposal.

